

## **MINI CELL PRESSURE CELL 3.7 for FRENCH PRESS G-M<sup>®</sup>**

It is with great please that we introduce to you the **MINI CELL PRESSURE CELL 3.7** (20 kpsi; 3.7ml; Catalog No. 5500-FA-004) for **FRENCH PRESS G-M<sup>®</sup> Model 11**.

This new design is a great improvement over older discontinued versions (FA-003). Working volume is ~1.4 to 3.7ml.

We look forward to helping with all your cell disruption requirements from laboratory to production quantities.

Please let us know how we may be of further assistance.

Sincerely,  
GLEN MILLS INC.

## **MINI CELL PRESSURE CELL 3.7 for FRENCH PRESS G-M<sup>TM</sup>**

Catalog No. 5500-FA-004

### **ORDERING INFORMATION:**

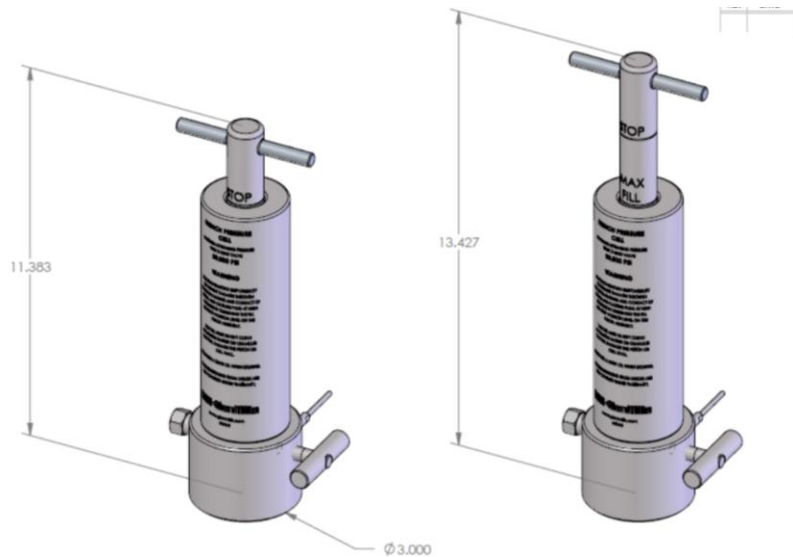
**Catalog No.**  
5500-FA-004

**Description**  
**MINI CELL PRESSURE CELL for**  
**FRENCH PRESS G-M<sup>®</sup>**

Maximum Operating Pressure: 40,000 psi  
Maximum Sample Loading: 3.7ml  
With Filling Stand and Spare Parts, etc.

**GLEN MILLS INC.  
MINI CELL PRESSURE CELL for  
FRENCH PRESS G-M<sup>®</sup>**

**GLEN MILLS INC. French Press G-M<sup>®</sup>  
MINI PRESSURE CELL 3.7**



**MINI PRESSURE CELL 3.7**

Catalog No. 5500-FA-004

- New Design (2013)

- Volume 1.4ml to 3.7ml of sample

Three components:

1- Piston 3/8" (MINI CELL 3.7)

2- Cell Body (MINI CELL 3.7)

3- Closure Plug Assembly (MINI CELL 3.7)

- Replacement for older "FA-003"

- Has clean-out port in Closure Plug Assembly

- No "Spacer FA-010" needed

July 25, 2013